

POSITION #1 OF THIS SECTION  
IS CONTACT ARM

RANGE SELECTOR SWITCH

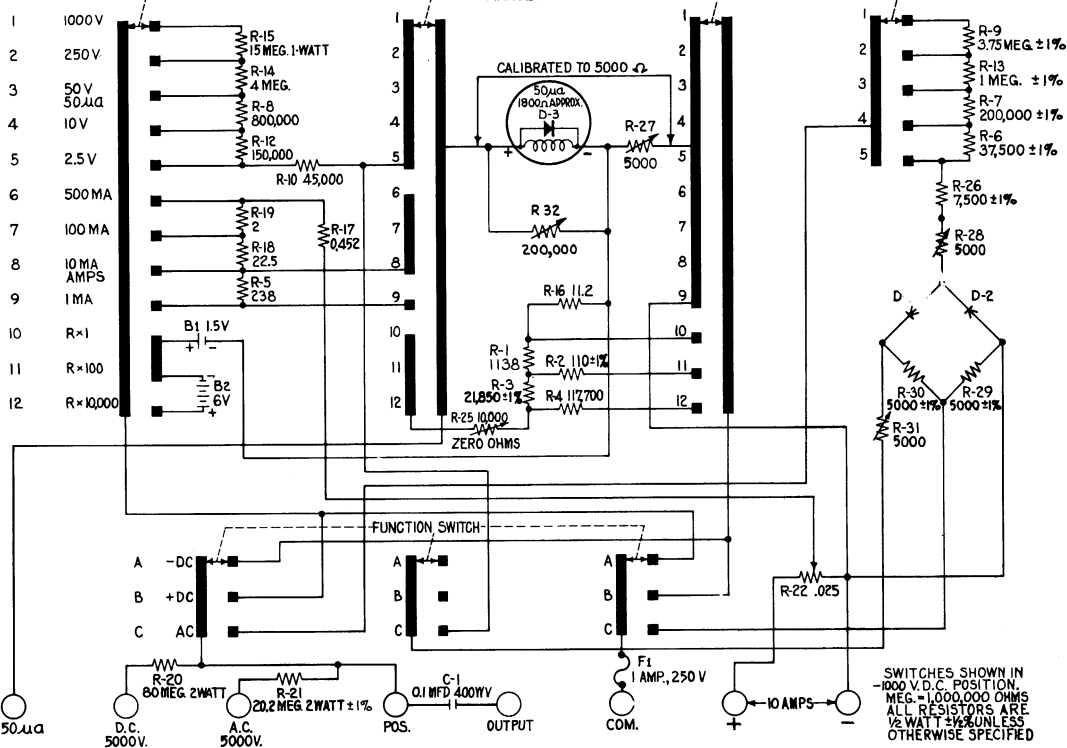


FIGURE 2. OVERALL SCHEMATIC, SIMPSON VOLT-OHM-MILLIAMMETER MODEL 261.